

Velociter x0.8

Item No: 500000000505



The Velociter x0.8 optical converter reduces the focal length of the RAPTOR macro lenses by 0.8x. At the same time it increases the lens speed by 0,7.

The Velociter x0.8 features high-index, low-dispersion glass as well as multi layer coating to ensure the highest possible resolution and contrast with minimal optical degradation. To create an optical design that is optimized for the RAPTOR macro lens family and digital cameras, the maximum input T-Stop is 2.9.

The Velociter x0.8 can easily be assembled in exchange of the extension tube of the PL UMS mount.

Note: With the Velociter connected to the lens, only PL cameras can be used.

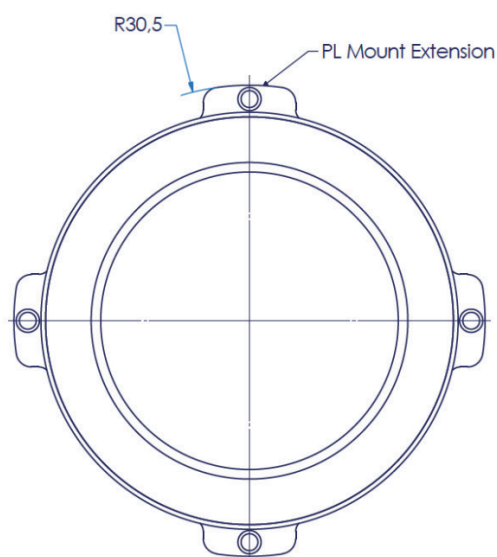
Not Compatible with Raptor 60mm.



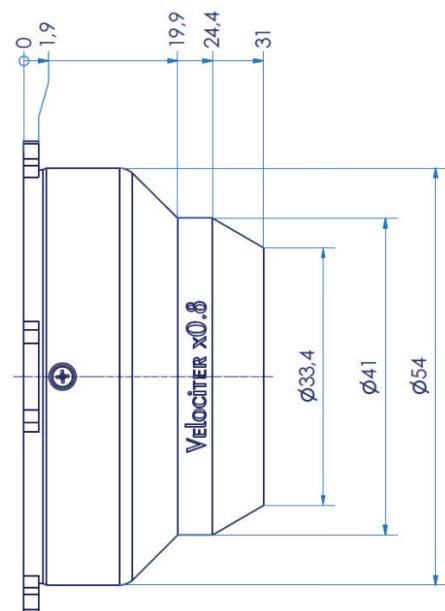
TECHNICAL DATA

Max. image diameter (mm)	36.0
Magnification	x0.8
Max. input T-Stop	2.9
Light increase (stops)	0.7

Diameter (mm)	54.0
Length (mm)	31.0
Weight (kg)	0.18



ill. 1: max. measurements of input lens



ill. 2: dimensional drawing

