

RAPTOR[®] Scope



Images for reference only

Introducing the Raptor Scope : Revolutionizing Your Viewing Experience

In the field of high-end optics, the Raptor Scope stands out as a remarkable achievement in precision engineering and cutting-edge design. Its high-definition optical system ensures that every scene observed is rendered with remarkable accuracy and vividness in a Full Frame image coverage (44mm).

Built to endure the hardest environments, the Raptor Scope is crafted in Germany from premium materials that guarantee durability and reliability. With its compact design and intuitive controls, this Scope ensures effortless handling and operation. The image rotation compensator while panning the snorkel is the perfect example of this user-friendly optical tool. Also, this feature can be used for 360° rotating images avoiding the spin of the whole camera system. All the functions can be motor driven.

For the front, we offer a set of lenses with M mount. The set of 5 Raptor Mini includes: 24mm, 35mm, 50mm, 75mm and 90mm. Also, it is possible to use any* Leica M mounted lenses on the market.

We also offer other mount possibilities like PL, LPL, EF, F, E, etc.

Its versatile design allows to use a PL, LPL or other mounts to attach to the camera, as well a Rear Booster to convert it to Super35 format increasing the F/ to 4.0.



With the Raptor Scope, you will be closer to the wonders of world and beyond.

*It depends on how much it comes out after the mount flange

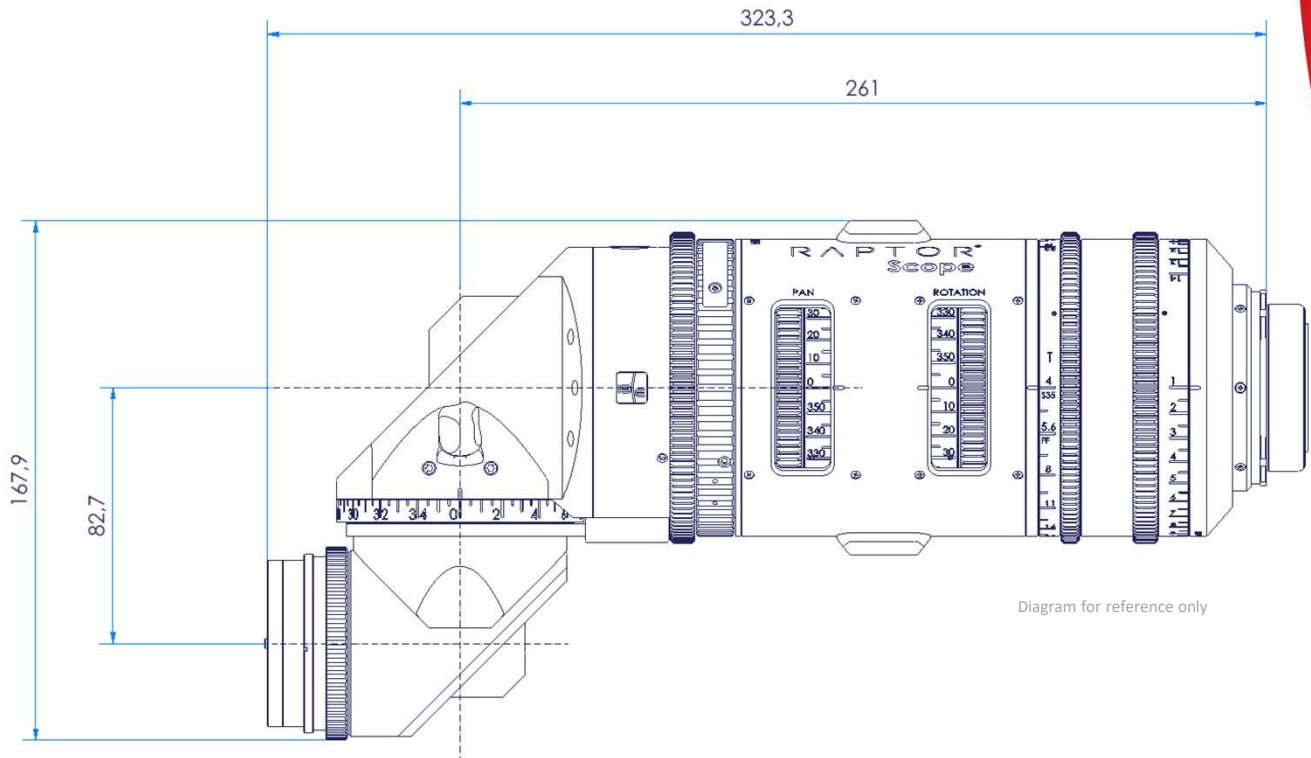
FEATURES

- Unlimited Pan, Tilt & Roll moves
- Image rotation compensator
- F/4.0 (in S35 mode)
- Internal Focusing (Constant Lens Length)
- UMS PL-Mount
- Available additional front mounts: PL, LPL, Canon EF, Nikon F, (Sony E in 2025)
- Extended Color Correction (APO)
- Robust Mechanical Design



IB/E optics GmbH / Passauer Str. 13 / D-94078 Freyung
P +49 (0)85 51 999 80 30 / F +49 (0)85 51 999 80 31
ibe@ibe-optics.com / www.ibe-optics.com

RAPTOR[®] Scope



TECHNICAL DATA**

Pan – Tilt – Roll	0.8 Geared 360° (Unlimited)
Focus – Iris	0.8 Geared. Near to Camera 180° Focus – 90° Iris rotation
Rear Attachment	0.75x Booster for image coverage of 35mm. Constant length
Aperture	F/5.6 at FF (44mm) - F/4.0 at S35 (35mm)
Camera Mount	UMS PL mount
Optional Rear Mounts	LPL, EF, FZ
Front Mount	Leica M
Optional Front Mounts	PL, LPL, EF, (E in 2025)
Max. Image Diameter	+44 mm / +1.73"
Length (Flange to Front)	32,3 cm / 12.7" (PL to M version)
Weight	TBA
Support	¼ Tread for standard lens support
Input lenses (standard set)	24, 35, 50, 75, 90 M-mount Full Frame

**Subject to change



IB/E optics GmbH / Passauer Str. 13 / D-94078 Freyung
P +49 (0)85 51 999 80 30 / F +49 (0)85 51 999 80 31
ibe@ibe-optics.com / www.ibe-optics.com