

niftylift

HR12L



(A) 12.1m
39ft 6in



(B) 10.1m
33ft



(C) 6.4m
21ft



200kg
440lbs



1.2m x 0.85m
3ft 11in x 2ft 9in



(D) 1.98m
6ft 6in



(F) 1.79m
5ft 11in



(J) 3.97m
13ft



6km/h
3.7mph



3.63m
11ft 11in



25%
14°



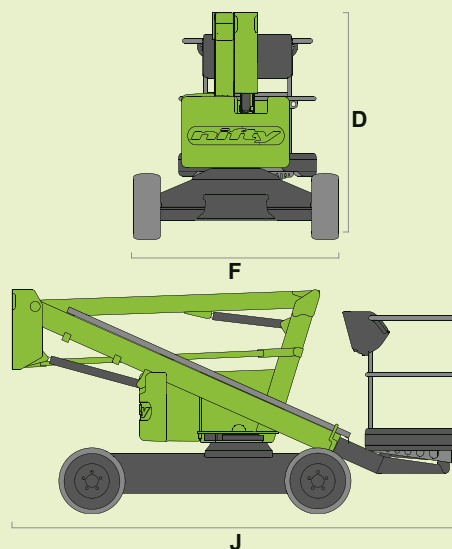
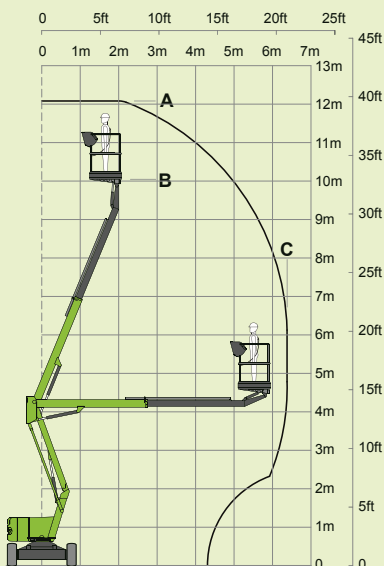
2540kg / 2470kg*
5600lbs / 5445lbs*



ELECTRIC

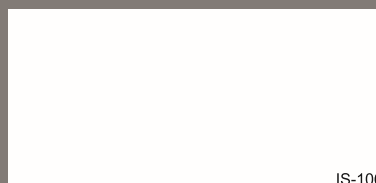


* Lithium Battery Option



niftylift

Chalkdell Drive, Shenley Wood,
Milton Keynes, MK5 6GF
England, United Kingdom
+44 (0)1908 223456
sales@niftylift.com
www.niftylift.com



IS-106