

# PLx1.3VV-E



Item. No. 500000021412

The PLx1.3VV-E optical expander increases the focal length and the projected image diameter of the lens by a factor of 1.3x. Then, it allows the use of the lens on large sensor cameras up to 47 mm.

The electronic metadata pass-through has been introduced to bring the lens information to the recorded takes.

This expander features high-index, low-dispersion glass to ensure the highest possible resolution and contrast with minimal optical degradation.

The PLx1.3VV-E is characterized by a robust and durable mechanical design with stainless steel PL mounts and anodized aluminium. Inside, it carries flair minimized surfaces to keep the original lens character.

The PLx1.3VV-E expander is designed to use most of the S35 PL lenses on almost all the digital cameras with a native PL mount.

It is not compatible with mirror cameras, nor the UMS system.

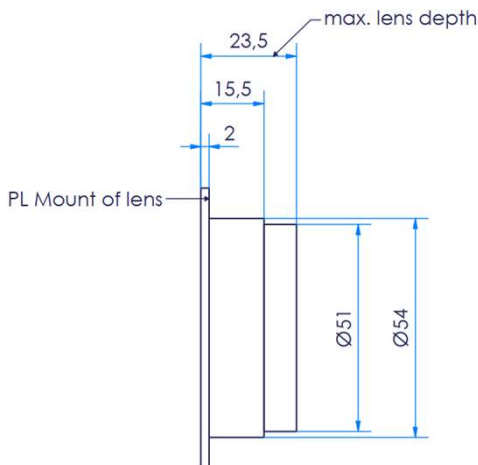


## Features

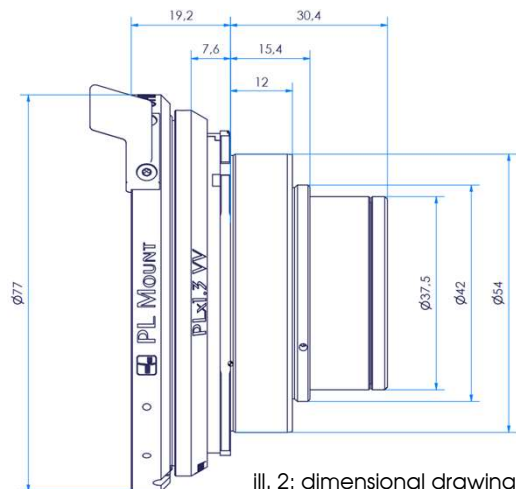
- Electronic pass-through for lens metadata
- 47mm image diameter (VistaVision)
- High-index, low-dispersion glass
- Robust Mechanical Design
- Extended Color Correction (APO)
- Small & lightweight

## Technical Data

Max. Image Diameter (mm)	47 mm / 1.85''	Camera Mount	PL
Magnification	1.3x	Lens Mount	PL
Electronic Data	Pass-through	Max. Input T-Stop	2.0
Light Drop	0.75 stop	Weight	0,5 kg / 1.1 lbs



ill. 1: max. measurements of input lens



ill. 2: dimensional drawing

