

# RAPTOR<sup>®</sup>

## MACRO CINE

# 24mm



The movement toward larger format sensors is still in progress, and the number of large format cameras available keeps growing. Larger sensors offer a film-style look with interesting bokeh due to their very shallow depth of field and require lenses that cover the complete sensor area.

IB/E OPTICS presents the new member of the RAPTOR Macro Lens Set. The 24mm will enlarge the existing set of 60mm, 100mm, 150mm, 180mm and 300mm.

Its wide aperture allows for beautiful background blurs and bokeh's, enhancing the main subject and delivering sharp and vibrant images.



Images for reference only

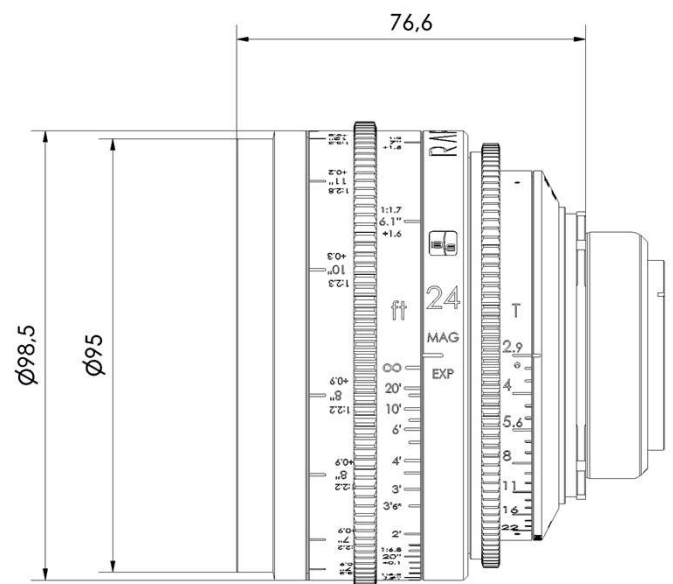
## FEATURES

- T-Stop 2.9
- Maximum Magnification 1:1,7
- Internal Focusing (Constant Lens Length)
- Front Diameter of 95 mm
- M0.8 Gear Wheels for Focus and Iris Control
- UMS PL Mount (Nikon F, Canon EF, Sony NEX E, etc.)
- Robust Mechanical Design
- Extended Color Correction (APO)

## TECHNICAL DATA\*\*

Focal Length	24 mm
Magnification	1:1,7
Aperture	T 2.9 - T 22
Max. Aperture Infinity / Near	T 2.9 - T 4.7
Close Focus	15,6 cm / 6,14"
Min. Working Distance	8 cm / 3.14"
Focus Rotation	290°
Iris Rotation	80°
No. Iris Blades	12
Max. Image Diameter (PL Mount)	43 mm / 1.69"
Mount	PL UMS
Length (Flange to Front)	75,7 mm / 2.98"
Front Diameter	95 mm / 3.74"
Weight	1,4kg / 2.8 lbs

\*\*Subject to change



IB/E optics GmbH / Passauer Str. 13 / D-94078 Freyung  
 P +49 (0)85 51 999 80 30 / F +49 (0)85 51 999 80 31  
 ibe@ibe-optics.com / www.ibe-optics.com