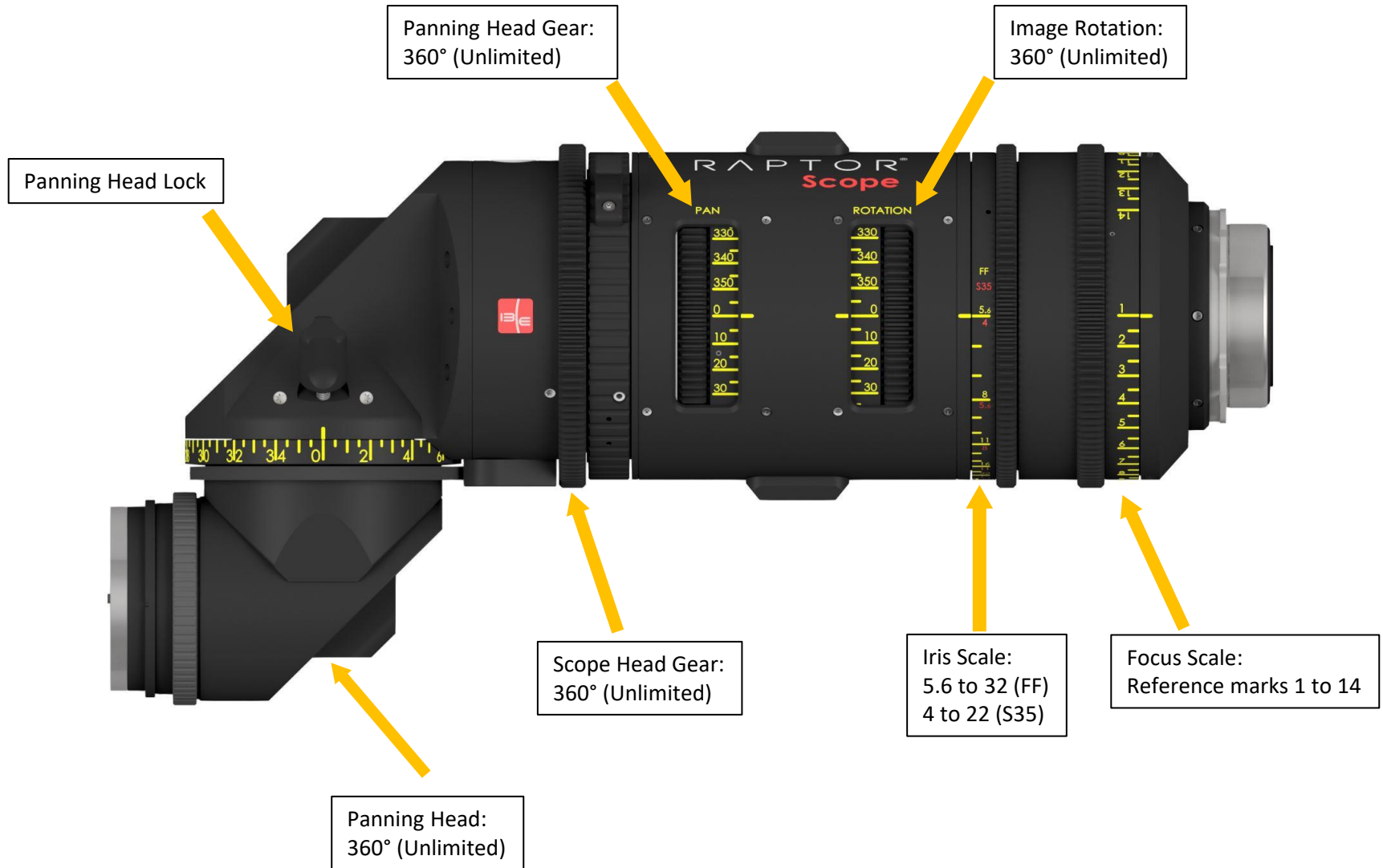
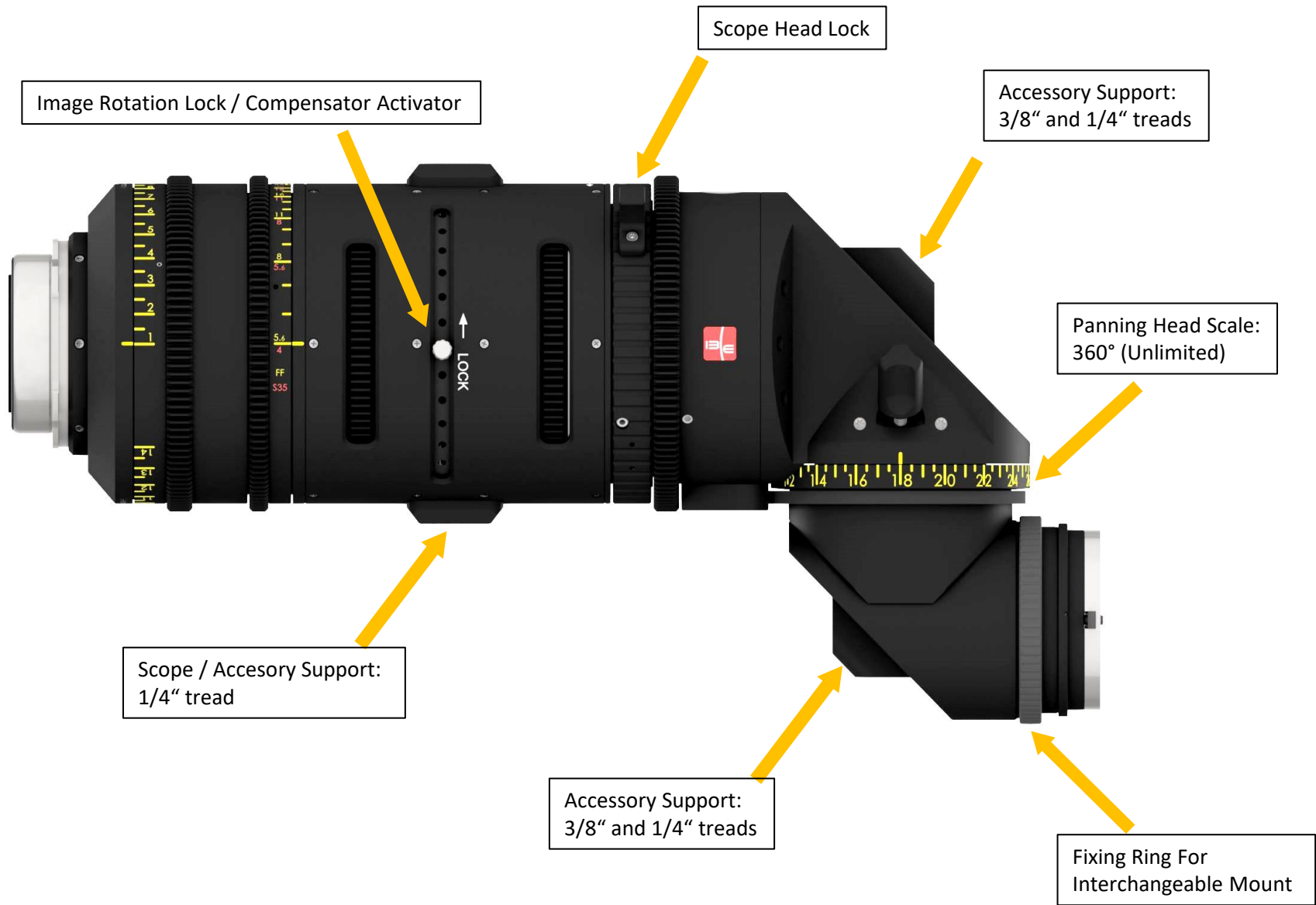




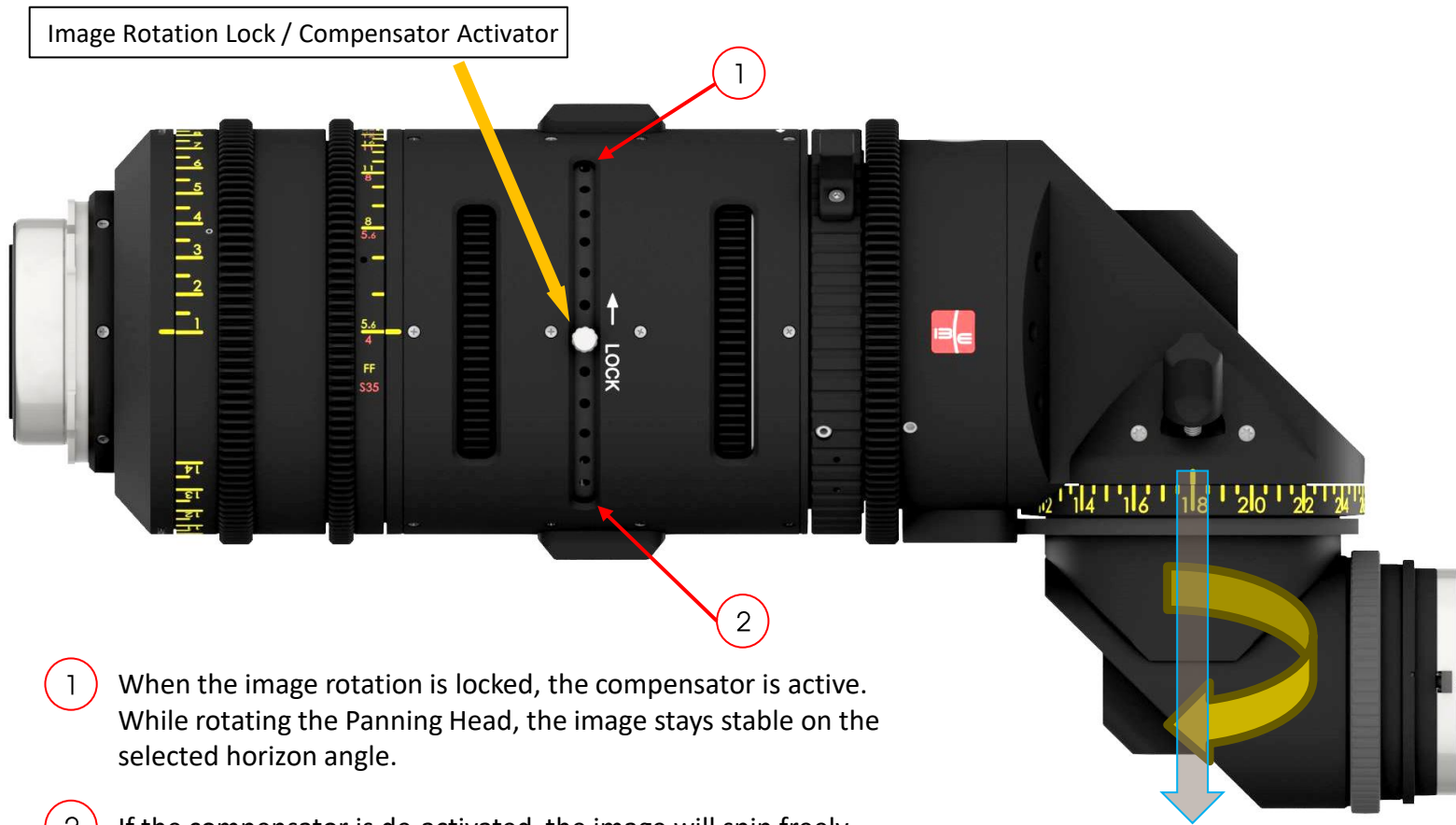
# Overview of Functional Parts Raptor Scope



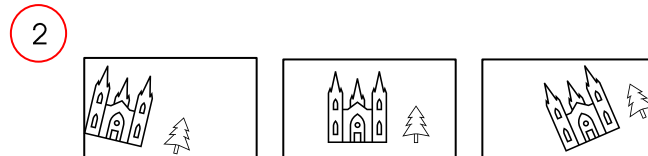
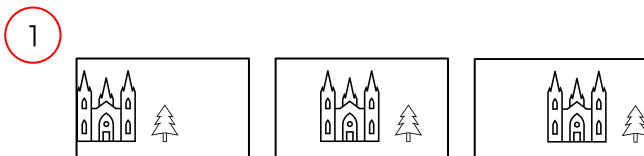
# Overview of Functional Parts and supports



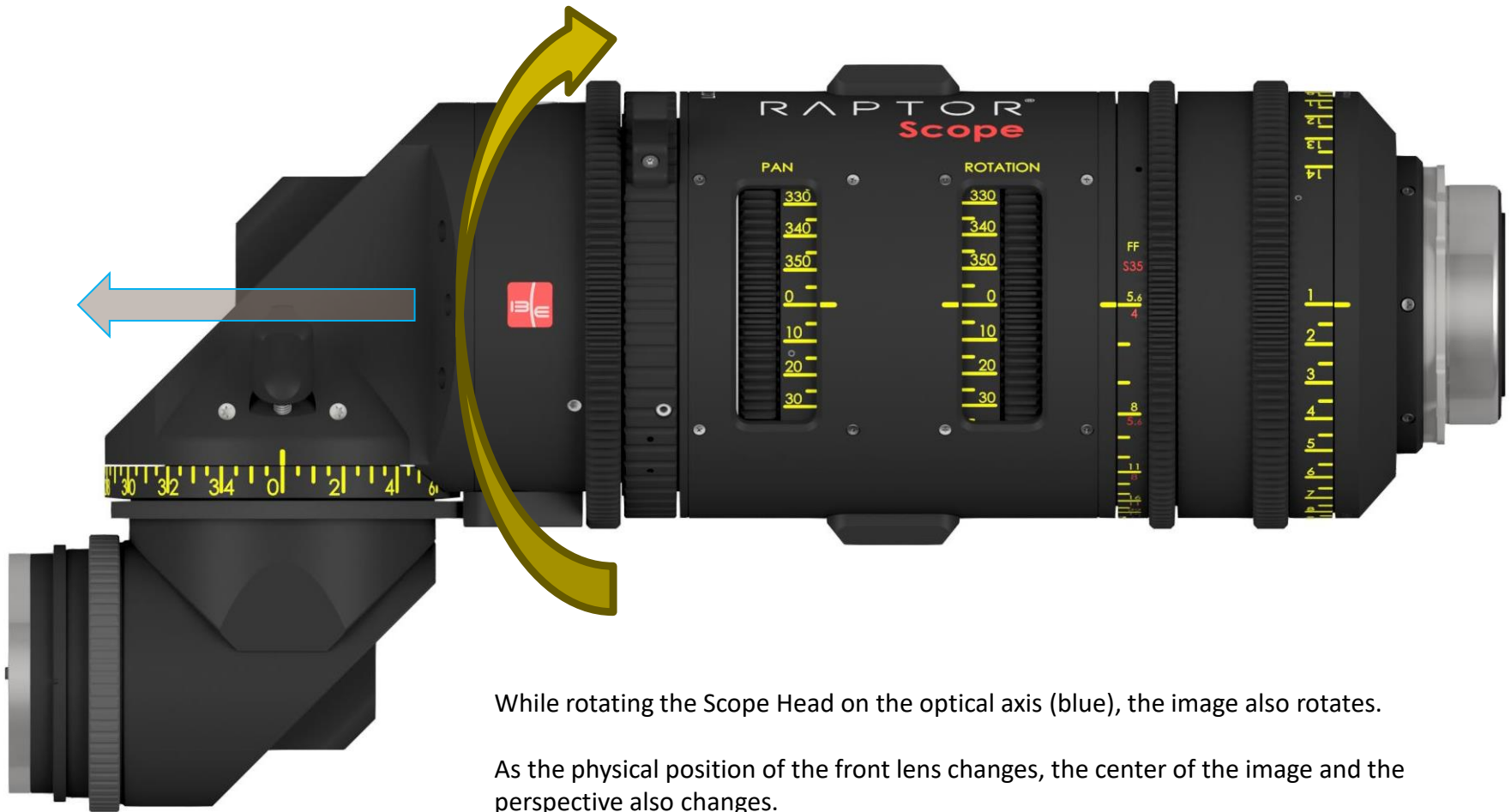
# Image Rotation & Panning



- 1 When the image rotation is locked, the compensator is active. While rotating the Panning Head, the image stays stable on the selected horizon angle.
- 2 If the compensator is de-activated, the image will spin freely.



# Image Rotation & Panning



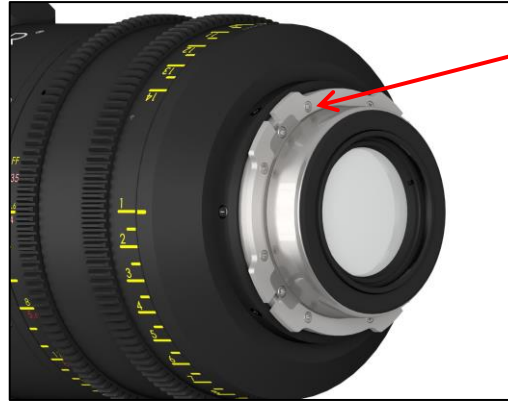
While rotating the Scope Head on the optical axis (blue), the image also rotates.

As the physical position of the front lens changes, the center of the image and the perspective also changes.

# Raptor Scope S35 Booster Assembly



The Booster offered as an accessory makes the Scope System faster in terms of light, reaching an unbeatable T/4.0.



1. Remove the 8 mount screws using a TX6 tool.



2. Remove the 3 rear group screws using a Philips screwdriver.

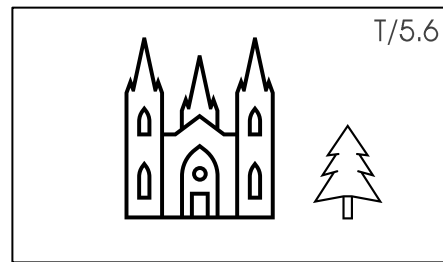
3. Install the Booster and the mount using the same screws and tools.

# Booster Function Overview

Front Lens Format	Raptor Scope rear attachment	Covered Image Format	Max. T-Stop
FF	FF	FF	5.6 (1)
FF	S35	S35	4 (2)**
S35	FF	S35*	5.6 (3)**
S35 (28mm to 34mm***)	S35	22,4mm to 27,2mm*** (e.g. Phantom)	4

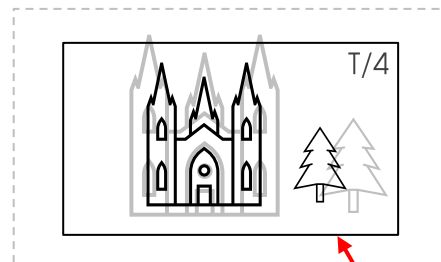
\*\*\*Image circle

\*Depends on the image size of the front lens and the camera sensor setup.



(1)

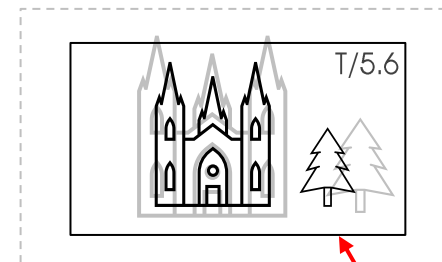
Full Frame



(2)

Full Frame

S35



(3)

Full Frame

S35

Graphics for reference only

\*\*The proportion of the objects vs. the frame stays similar when the Booster is installed and the camera's sensor setup is S35.

# Interchangeable Front Mounts



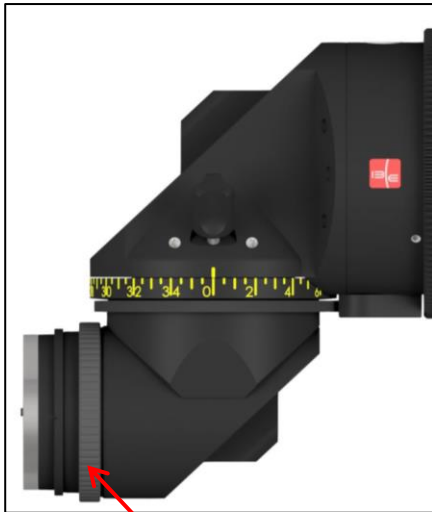
LPL Mount



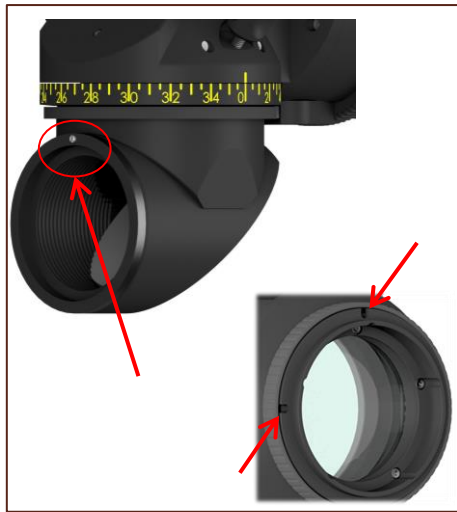
PL Mount



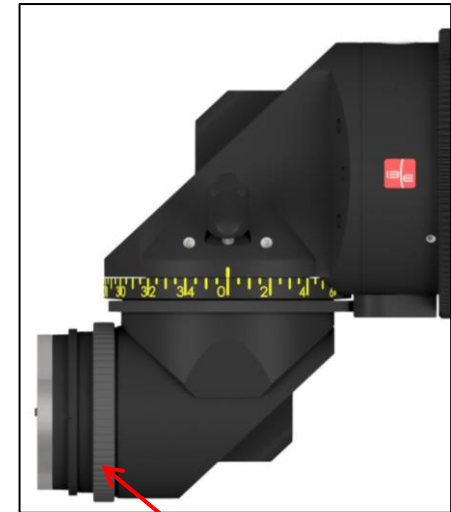
EF Mount



Loose the Interchangeable Mount fixing ring



Align the M/PL/LPL mount with the positioning pin



Tight the Interchangeable Mount fixing ring



# Fit Test Tool

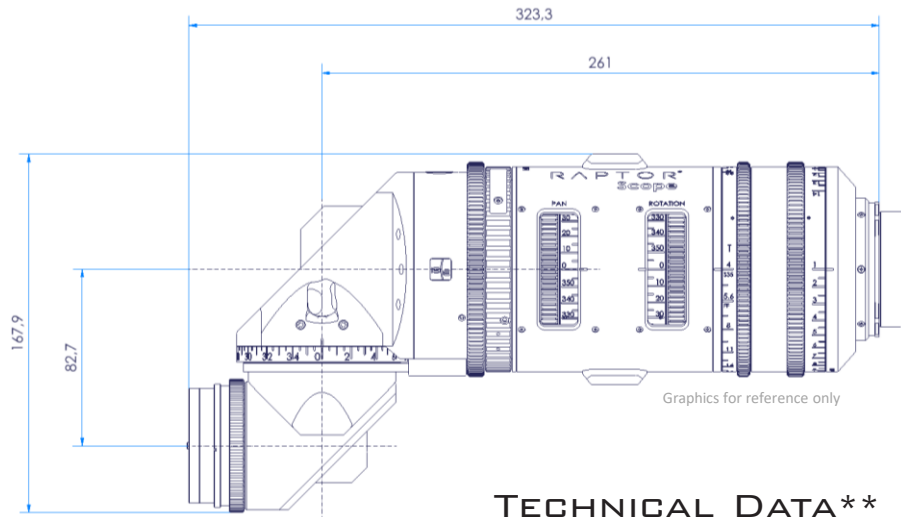


Place the Fit Test Tool on the mount as shown. Be sure that the mount and the Fit Test Tool are in contact.

Look inside to verify that any glass or mechanical part is in contact with the Fit Test Tool.



If any internal element of the lens is in contact with the Fit Test Tool, DON'T use it with the Raptor Scope. A damage on the Raptor Scope and/or the lens can occur.



## TECHNICAL DATA\*\*

Pan – Tilt – Roll	0.8 Geared 360° (Unlimited)
Focus – Iris	0.8 Geared. Near to Camera 180° Focus – 90° Iris rotation
Rear Attachment	0.8x Booster for image coverage of 35mm. Constant length
Aperture	F/5.6 at FF (44mm) - F/4.0 at S35 (35mm)
Camera Mount	UMS PL mount
Optional Rear Mounts	LPL, EF, FZ
Front Mount	Leica M
Optional Front Mounts	PL, LPL, EF, (E in 2025)
Max. Image Diameter	+44 mm / +1.73"
Length (Flange to Front)	32,3 cm / 12.7" (PL to M version)
Weight	4,4 kg / 9,8 lb
Support	¼ Tread for standard lens support
Input lenses (standard set)	24, 35, 50, 75, 90 M-mount Full Frame

\*\*Subject to change

# Optional Accesories



External Motor Holder  
500000021852  
(For PL and LPL Mounts only)



Counterweights  
500000021849



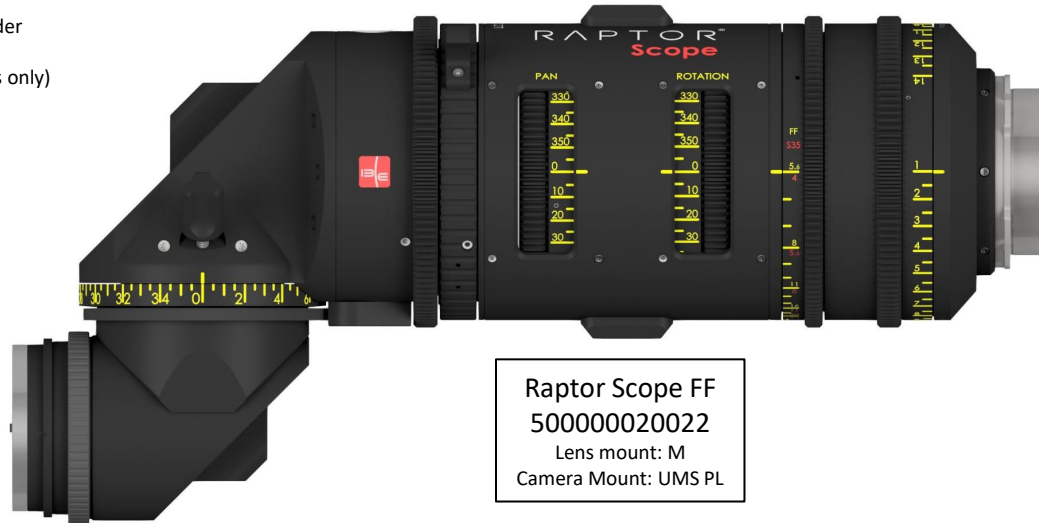
S35 Booster Module  
500000020505



UMS EF Mount Mark III  
193000161100



PL Mount  
500000021796



UMS LPL  
193000171300



LPL Mount  
500000021789



EF Mount  
500000021848



Standard Lens Set of 5  
(24, 35, 50, 75, 90)  
M Mount



UMS FZ Mount Mark II  
500000007015

Enjoy working with our product!

---